

Embedded Systems SIA, VAT No LV40003411103  
47. Katolu str., Riga, LV 1003, LATVIA  
Phone: +371 67648888, fax: +371 67205036, e-mail: [sales@openrb.com](mailto:sales@openrb.com)

## ZigBee RS232 gateway

### ENG - Data sheet

Issue date 09.11.2022

### Application

ZigBee RS232 gateway is designed to be used in building and industrial automation applications as an extension module to LogicMachine series devices. The device allows connecting ZigBee wireless devices into ecosystem of LogicMachine. The configuration and monitoring of the device is done through separate LogicMachine ZigBee application. The device is designed for DIN-rail mounting and requires 2 DIN-units.



<b>Types of product</b>	
ZIGRS232	ZigBee RS232 gateway
ZIGUSB	ZigBee USB gateway (limited edition)
<b>Technical data</b>	
Power supply	24V DC
Power consumption (at 24V)	0.15 W
DC overvoltage protection:	32 V
Wrong wiring polarity protection	Yes
<b>Interfaces and operating elements</b>	
RS232	1 (ZIGRS232)
USB	1 (ZIGUSB)
LED	1 – Power indication, 1 – Network state
Antenna	2.5M SMA Plug 2.4GHz Antenna for RG174 cable (included)
<b>ZigBee specification</b>	
Power on transmitter	+5 dBm
Frequency	2.4 GHz
Channels	11-26
Max count of ZigBee devices connected	50
<b>Clamps and enclosure</b>	
RS232	3.5 mm <sup>2</sup>
Power supply	3.5 mm <sup>2</sup>
Color	Gray
Dimensions	36(W)x104(H)x61(L) mm
Protection	IP20 according to EN 60529
Usage temperature	-5C ... +55C
Storage temperature	-20C ... +70C
Net weight:	100 g
Gross weight	164 g
<b>Standards and norms compliance</b>	
CE conformity	EMBS-CE-22119/01 Electromagnetic compatibility
EMC	EN61000-6-1, EN61000-6-3



## Caution

### Security advice

The installation and assembly of electrical equipment may only be performed by skilled electrician. The devices must not be used in any relation with equipment that supports, directly or indirectly, human health or life or with application that can result danger of people, animals or real value

### Mounting advice

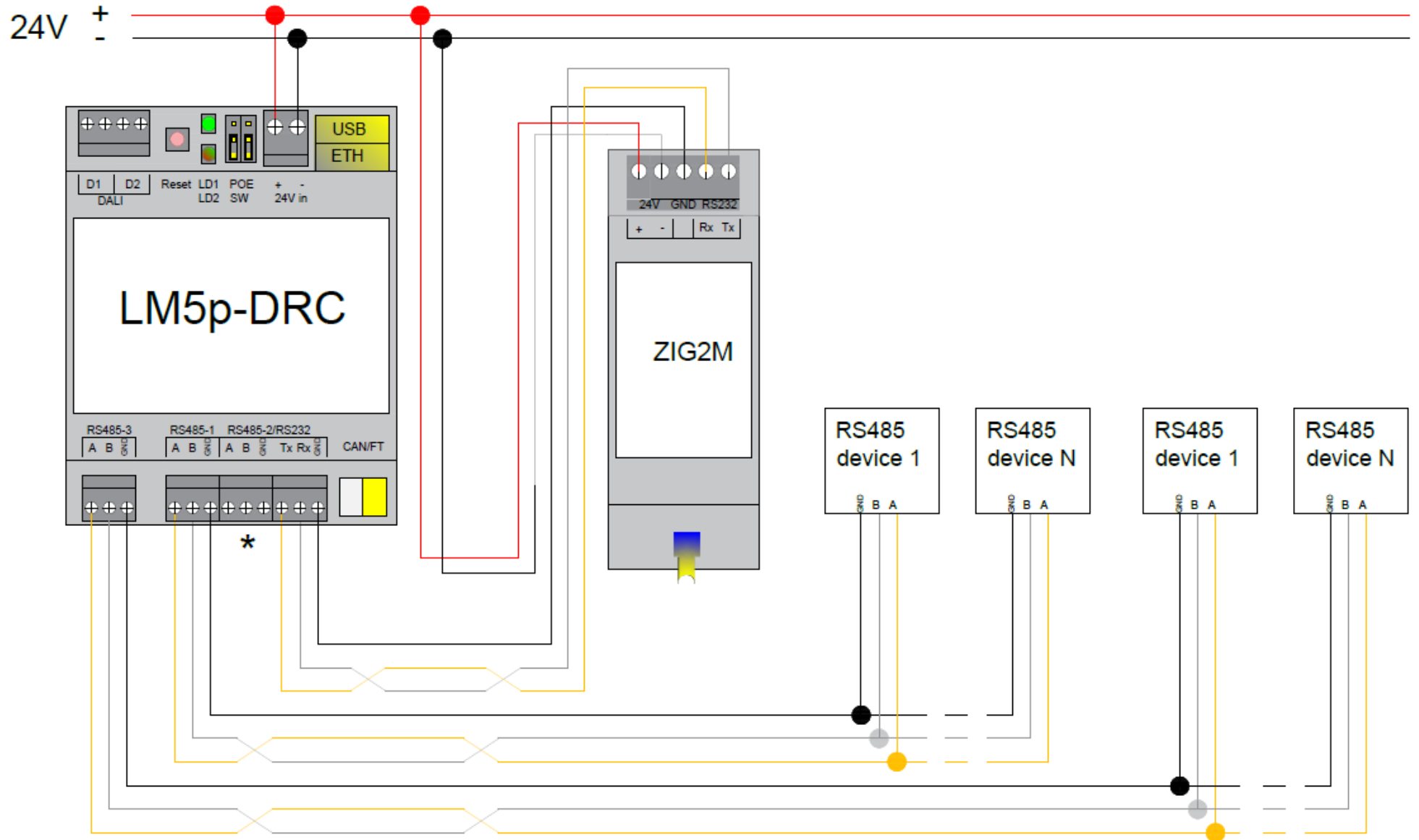
The devices are supplied in operational status. The cables connections included can be clamped to the housing if required.

### Electrical connection

The devices are constructed for the operation of protective low voltage (SELV). Grounding of device not needed. When switching the power supply on or off, power surges must be avoided.



# Connection diagram



## Short user guide

1. Connect 24V to device's power clamps.
2. Interconnect RS232 to LM5 RS232 port (RX to TX, TX to RX).
3. In LM5 open ZigBee app. If it's not there install the app from the app store.
4. Open *Menu* (≡) > *Configuration* and set Connection mode to RS-232.
5. ZigBee RS232 is recognized if you see *Green Network state: closed* button in the top right corner.