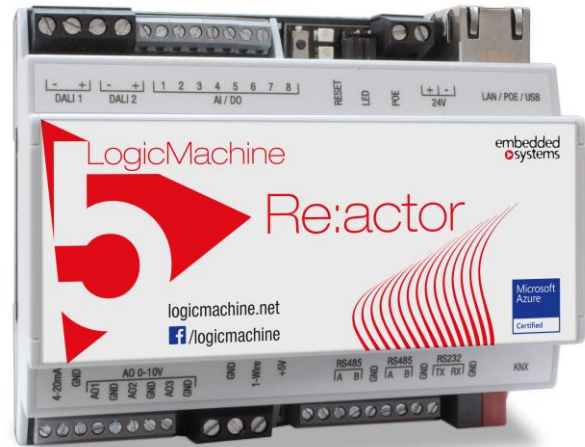


LogicMachine5 Dimmer

LogicMachine (LM) is your easiest way to program complex logic in KNX/EIB, Modbus, BACnet and other networks. LM will enable you to efficiently customize building automation processes, easily delivering unlimited flexibility benefit to end users in a cost-effective way.

LM5-RD is an embedded platform with integrated Ethernet, USB, KNX/EIB, EnOcean transceiver (optional), two DALI master, 1-Wire, Serial interfaces and I/O ports. LM allows to use it as cross-standard gateway, logic engine, visualization platform, IP Router. Scripting templates provides user-friendly, flexible configuration interface and integration with cloud/web services, 3rd party devices. Via applying custom scripts LM can simultaneously act as thermostat, security panel, lighting controller, etc. LogicMachine application store and external app development possibility allows to extend device functionality and adjust to a specific market segment

LM5-RD is optionally available with 3x more powerful CPU than all previous LogicMachine versions.

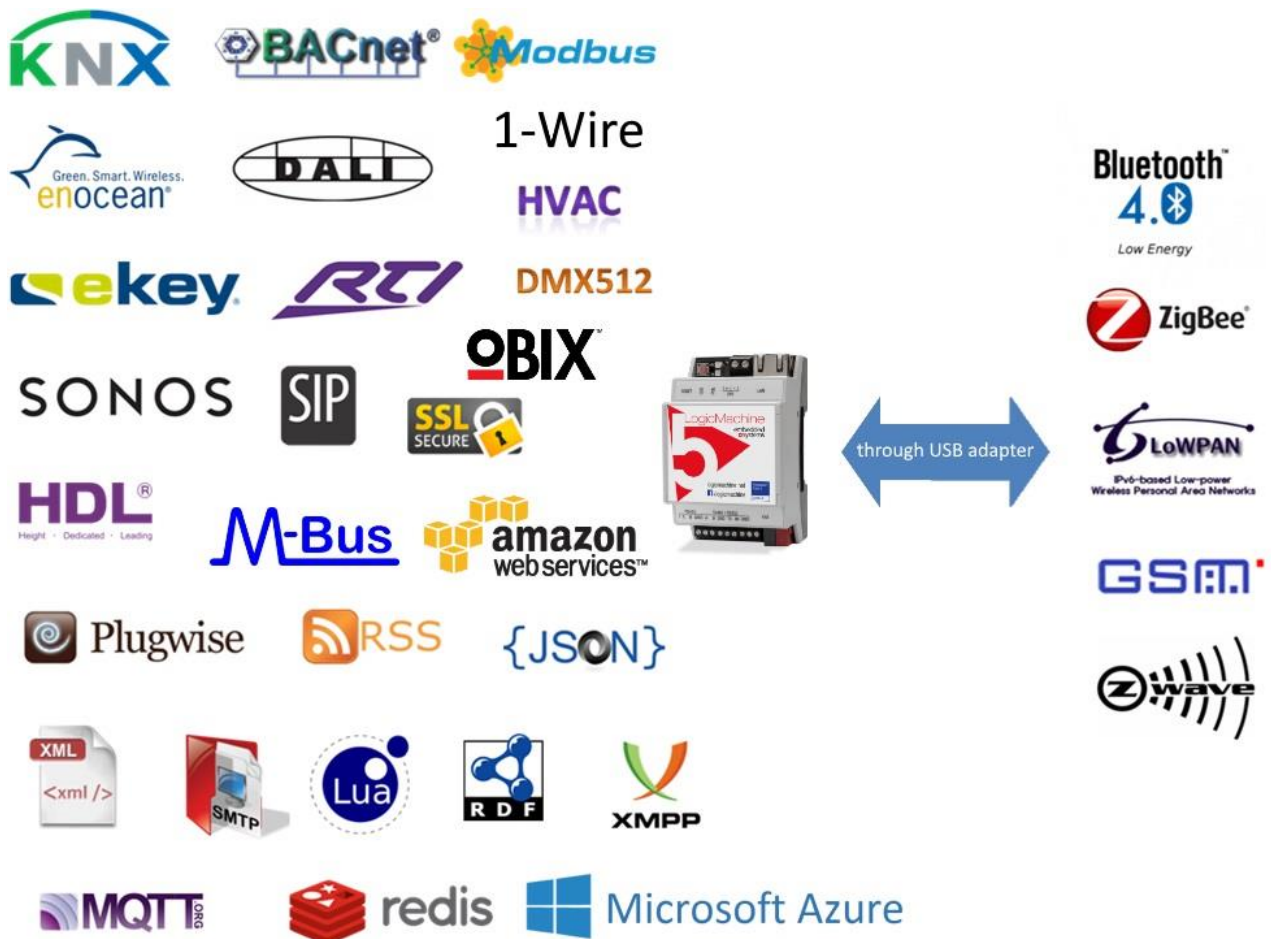


ENG - Data sheet

Issue date 26.11.2021

Application

- Logical functions
- WEB SCADA visualization for PC and touch-devices
- cross-standard gateway
- integration with third party devices over USB, RS485 serial port, Ethernet – AV, IR, HVAC
- Data logger with trends
- KNX IP Router
- Presence monitoring
- Lighting regulation
- Universal controller (lighting, shutter etc.)
- Health/activity monitoring
- Internet-of-Things
- Cloud server/client
- ...



Types of product

LogicMachine5 Reactor Dimmer Power	LM5p2-RD
LogicMachine5 Reactor Dimmer Power EnOcean	LM5p2-RDE

Standards and norms compliance

EMC:	EN61000-6-1 EN61000-6-3
PCT	Certificate

Technical data:

Power supply:	12V-30V DC on terminal connectors or 12V-30V DC Passive Power-over-Ethernet
Power consumption:	1.3W
Interface:	KNX/EIB TP1 1 DALI master 2 (up to 128 DALI ballasts in total) EnOcean 868MH with antenna (optional) 1 1-Wire 1 10BaseT/100BaseTX 1 RS-485 1 RS-485/RS-232 1 (switchable in software – full-duplex=RS232, half-duplex=RS485) USB2.0 1 Analog input/Digital output 8 380 mA continues current on output. Optoisolated from KNX/EIB bus
	Analog outputs 3 x 0-10 V, 1 x 4..20 mA
Connections:	KNX bus Bus Connection Terminal 0.8mm2 Power supply Screw, 1.5mm2 Serial Screw, 1 mm2 I/O Screw, 1 mm2

	DALI	Screw, 1.5 mm2
	1-Wire	Screw, 1.5 mm2
Operating elements	LED	1 – CPU load 1 - Activity
Enclosure:	Material:	Polyamide
	Color:	Gray
	Dimensions:	61(W)x90(H)x108(L) mm
Usage temperature:	0C ... +45C	
Storage temperature:	-15C ... +55C	
Weight:	150g	
Warranty:	2 years	
Relative Humidity:	10...95 % without condensation	



Caution Security advice

The installation and assembly of electrical equipment may only be performed by skilled electrician. The devices must not be used in any relation with equipment that supports, directly or indirectly, human health or life or with application that can result danger of people, animals or real value

Mounting advice

The devices are supplied in operational status. The cables connections included can be clamped to the housing if required.

Electrical connection

The devices are constructed for the operation of protective low voltage (SELV). Grounding of device is not needed. When switching the power supply on or off, power surges must be avoided.

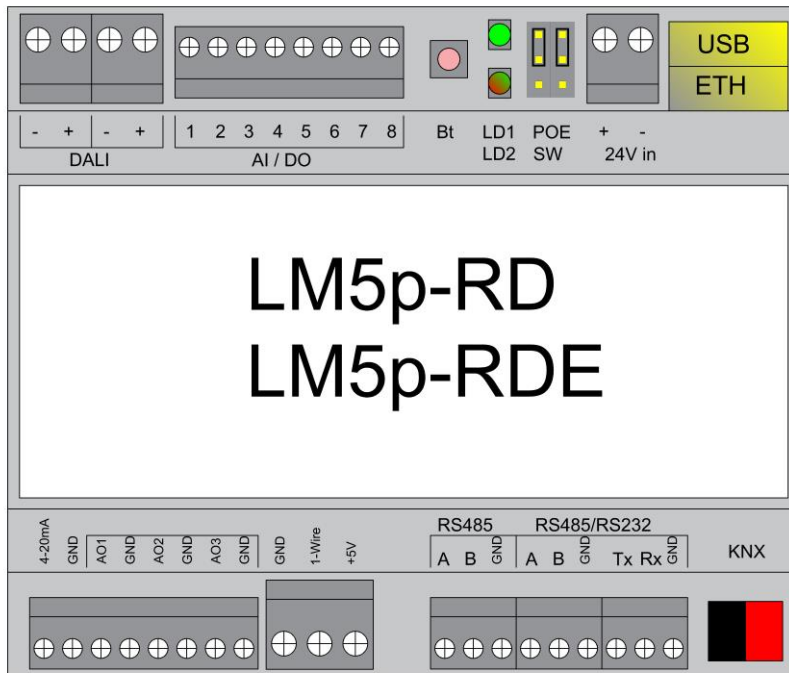
Terminal connection schemes

Note! In first batch of LM5 devices, the 24V DC clamp powering ports are placed vice versa



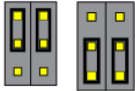
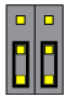
versa

Model

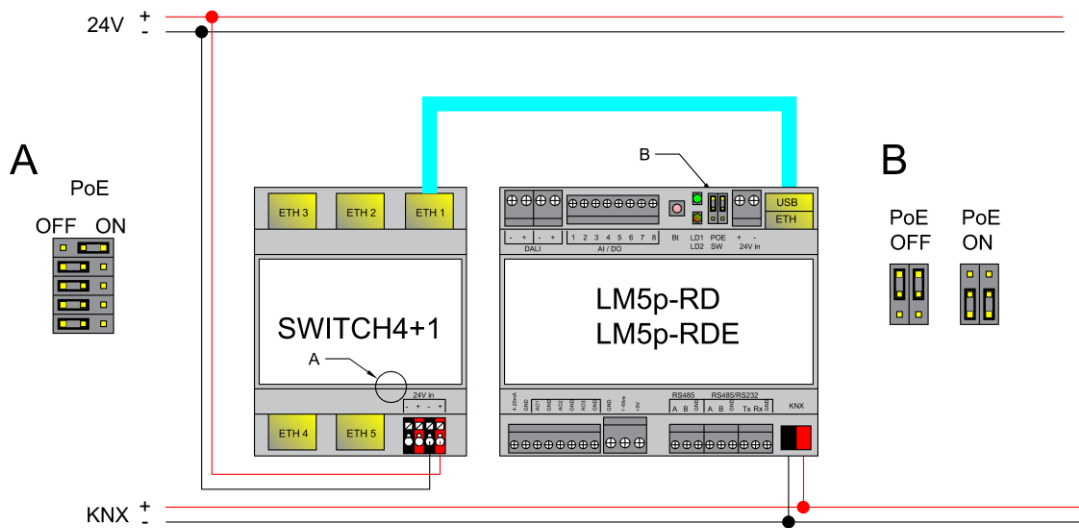


Powering over Ethernet

LM5 supports two powering modes:

- regular powering over screw terminals (Jumpers up or down) 
- passive PoE powering over 24V DC (Jumpers down) 
- when using active PoE 48V, jumpers have to be UP or the product **will be damaged!**

Please note that there are two PoE types of PoE switches/adapters – passive and active (802.3af). In passive mode 4 Ethernet cable wires are used for data and 4 are used for power. In active PoE mode data and power goes together.



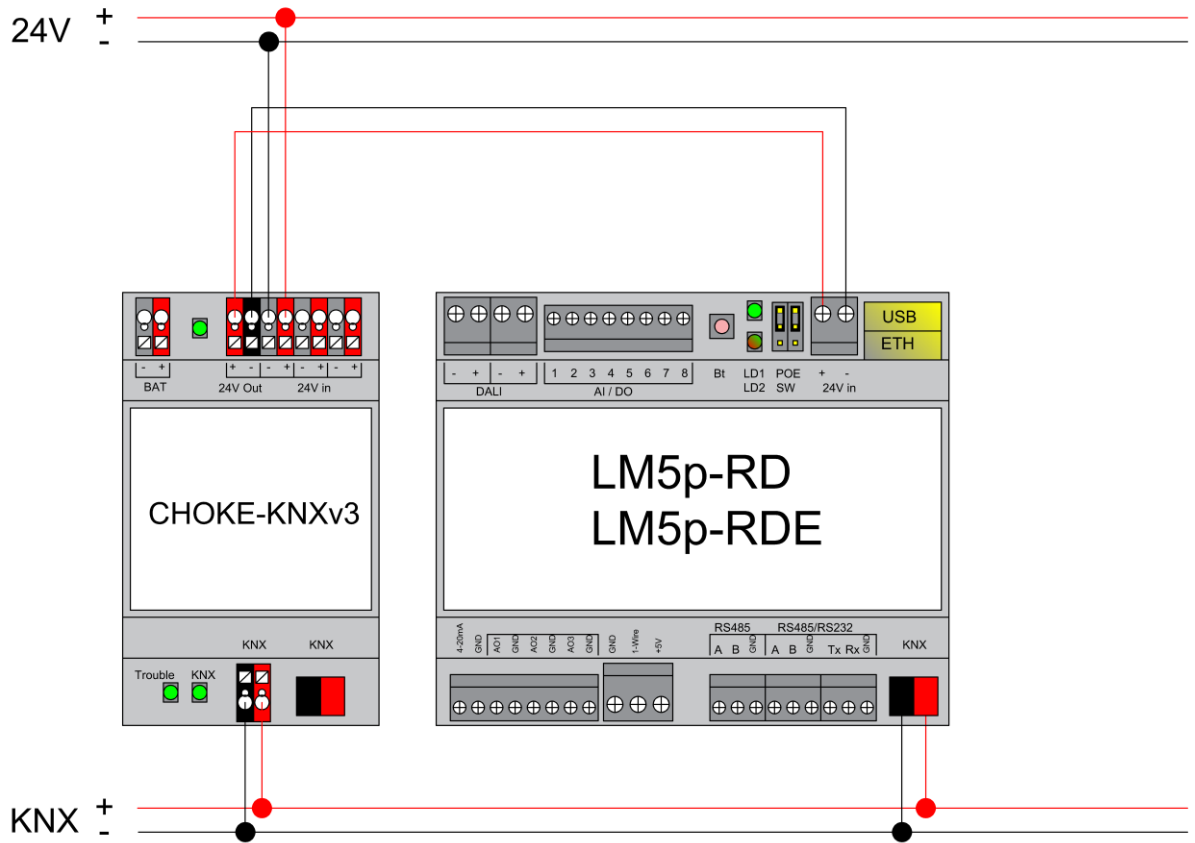
Passive PoE switch



Passive PoE adapters



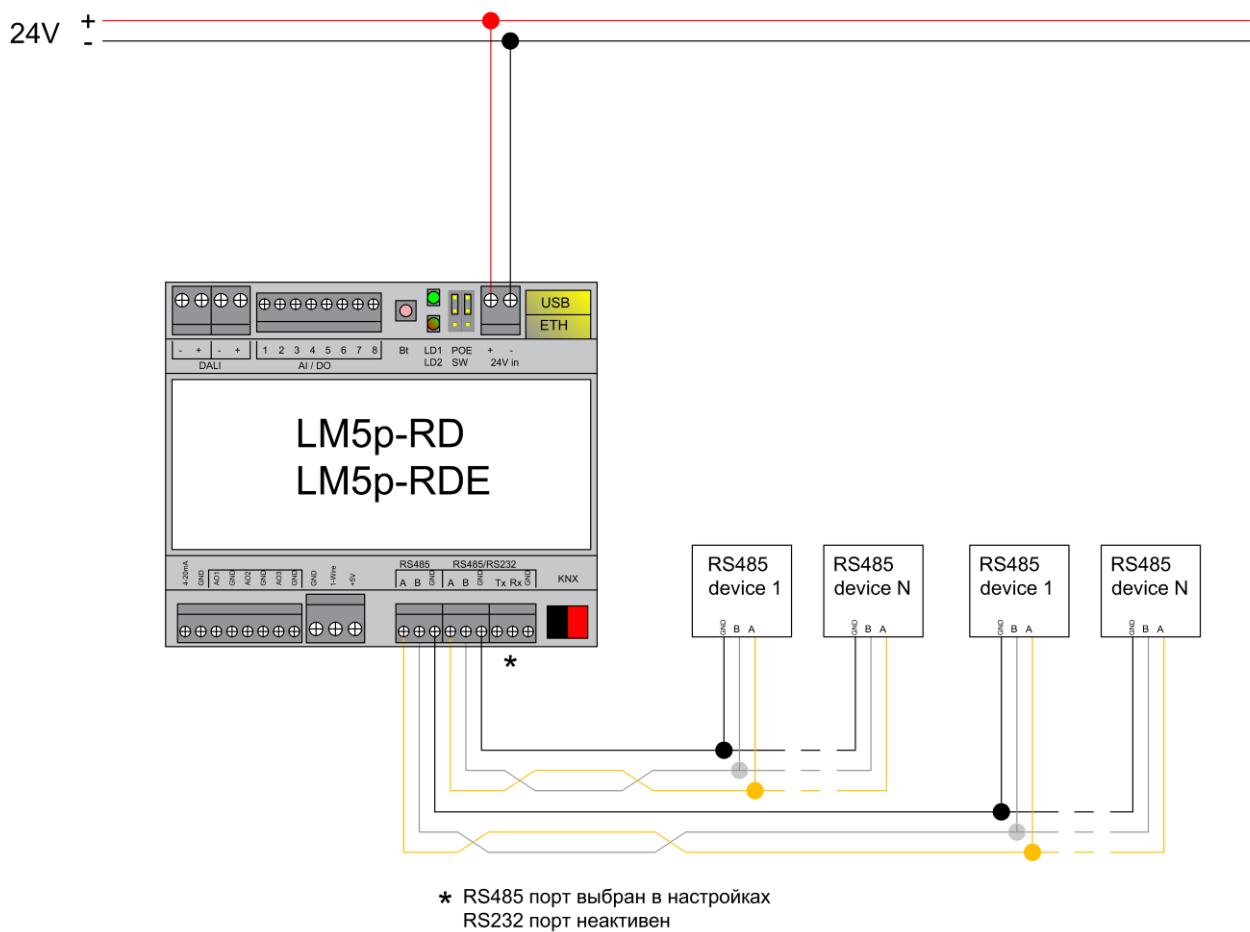
KNX connection / Powering over 24V terminals



RS-485 connection

There can be used max two RS-485 on LM5 Lite. First one is definitive, second one is software switchable – either it works as RS-485 or as RS-232 :

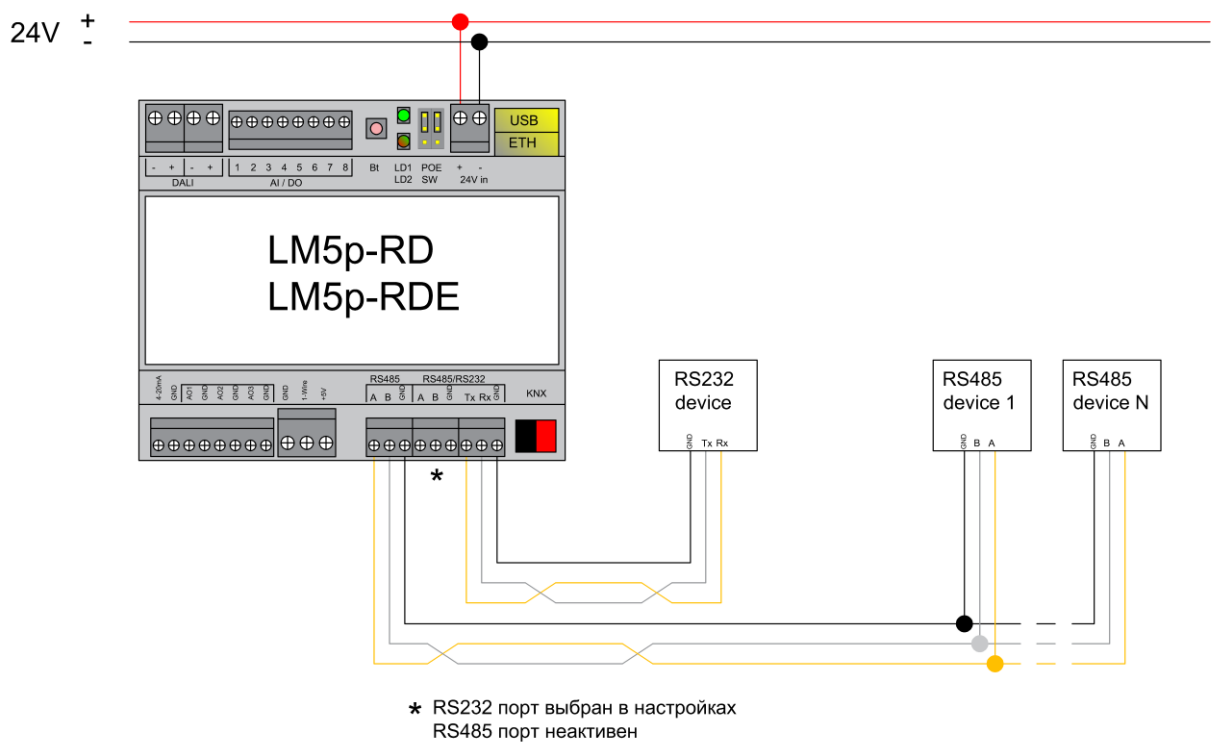
- If it is set up as full-duplex it will operate as RS-232 and respective TX/RX/GND screw terminals should be used
- If it is set up as half-duplex (*) it will operate as RS-485 and respective A/B/GND screw terminals should be used



*RS-485 is chosen in this case, RS-232 is not activated

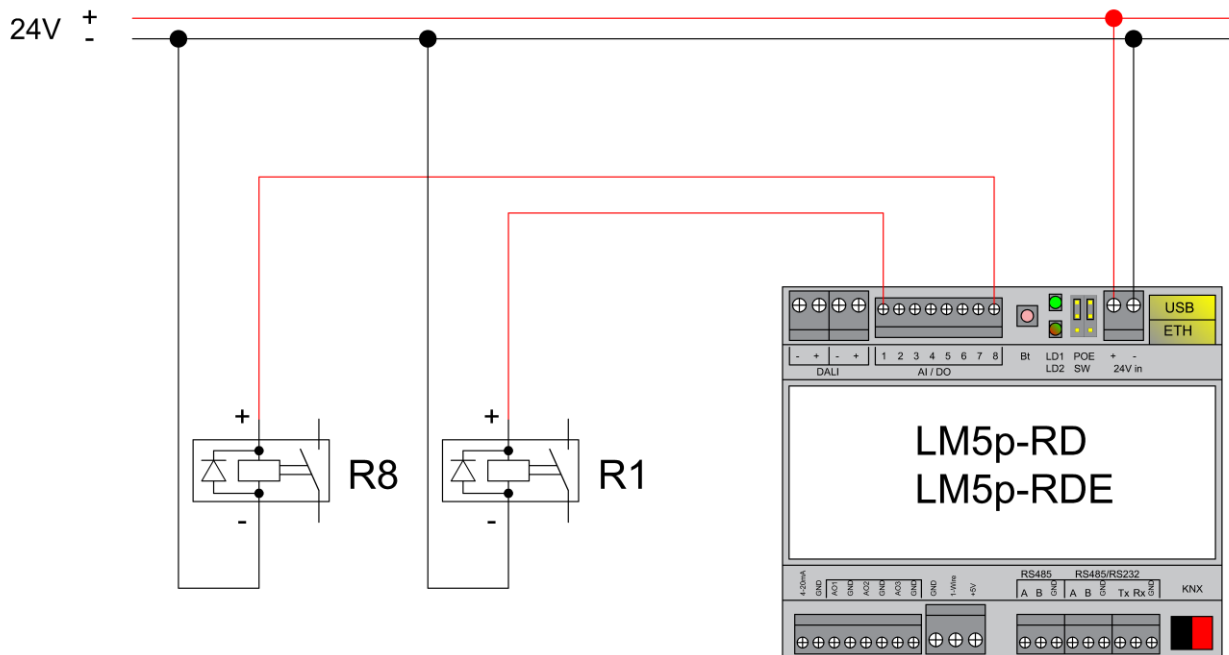
RS-485/RS-232 connection

If second serial port is set as full-duplex in LogicMachine configuration, it will operate as RS-232 and respective TX/RX/GND screw terminals should be used.

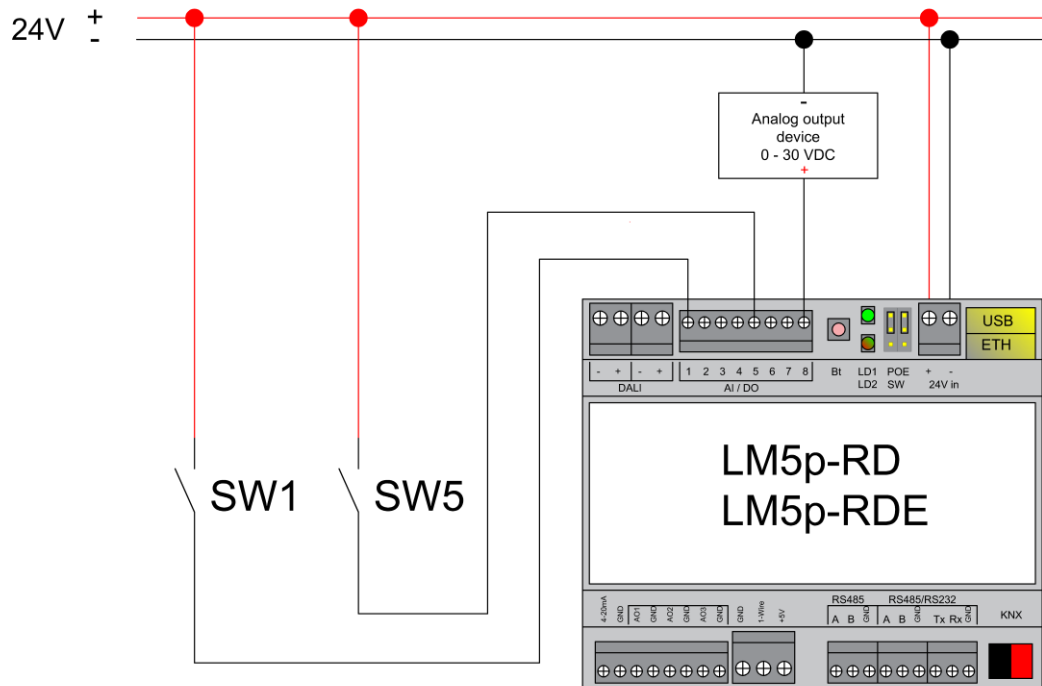


*RS-232 is chosen in this case, RS-485 is not activated

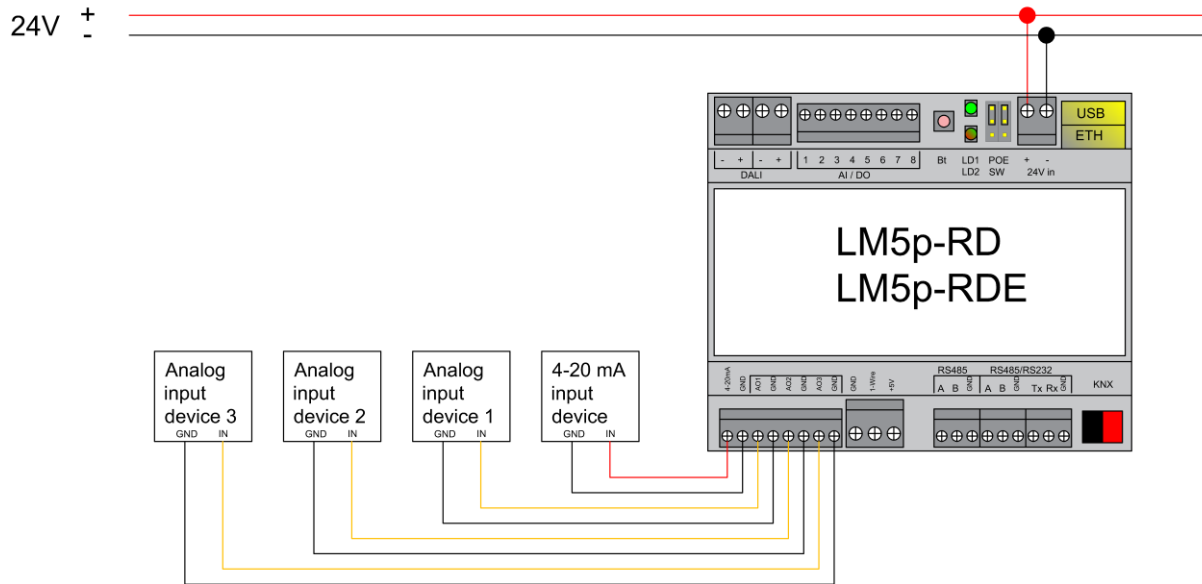
Digital output (e.g. relay/contactor)



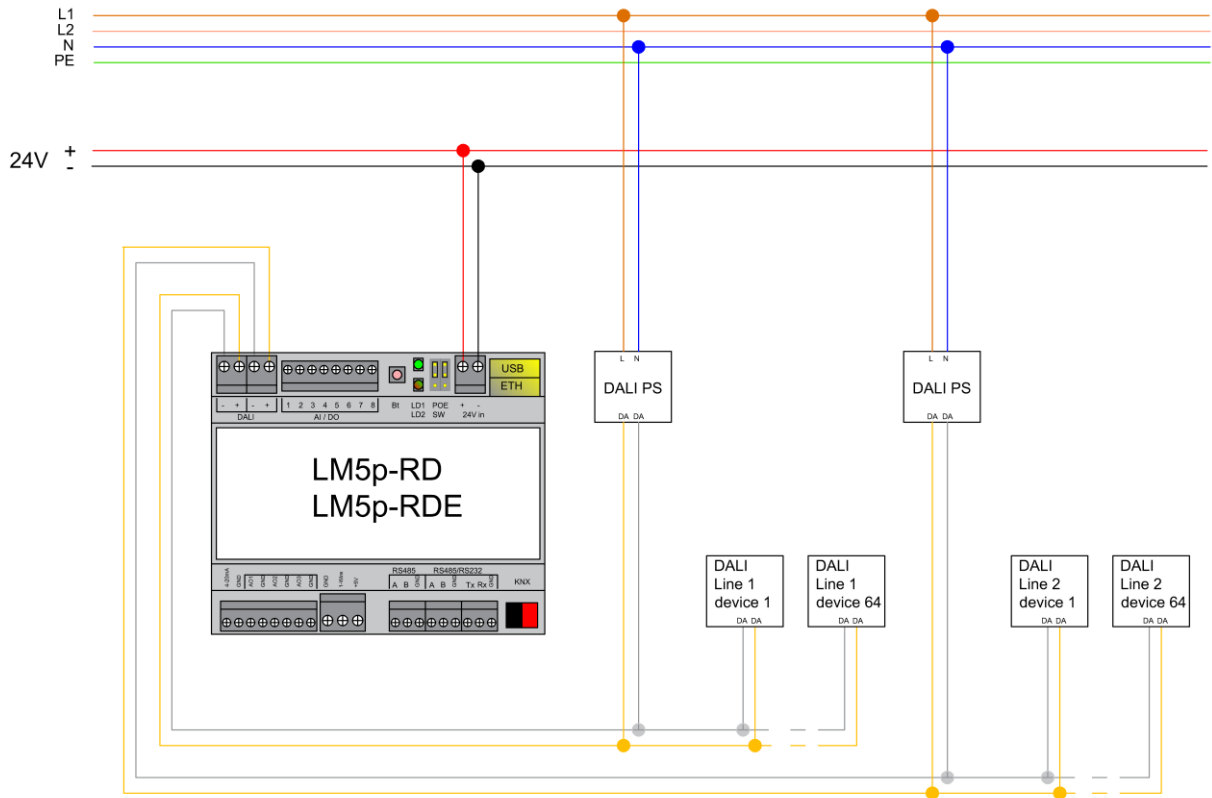
Digital or Analog input (e.g. pushbutton)



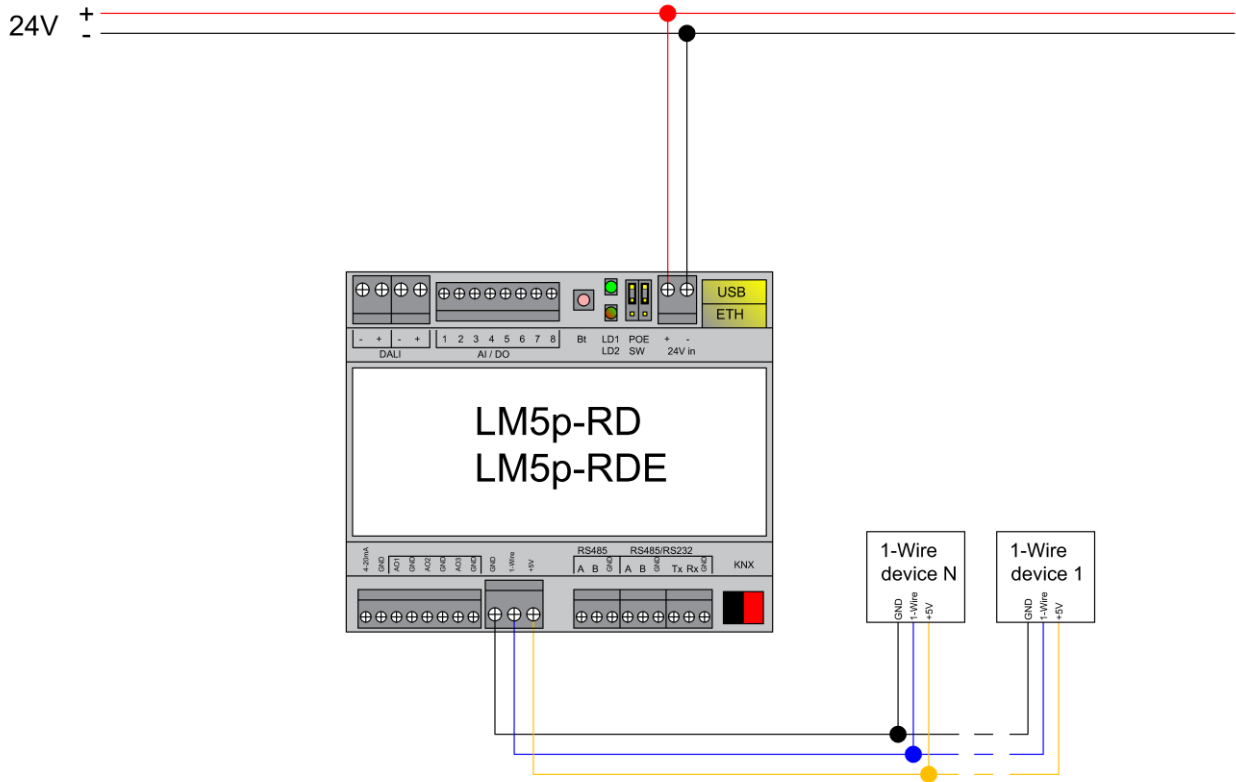
Analog output (0-10V, 4..20mA)



DALI connection



1-wire connection



Quick startup guide

- 1) Mounting the device on DIN rail
- 2) Connect the KNX bus cable
- 3) Connect 24V power supply to the device (either through separate 24V crew terminals or through Passive 24V DC Power-Over-Ethernet)
- 4) Connect Ethernet/LAN cable coming from the PC/switch

Default IP configuration

Login name	admin
Password	admin
IP address	192.168.0.10
Network mask	255.255.255.0

Reset device

You can either reboot the device by pressing RESET button or reset the configuration to factory defaults:

- *Press and hold for <10 sec* – reboot the device
- *Press and hold for >10 sec* – reset networking with IP to factory default
- *Press and hold for >10 sec and again press and hold for >10 sec* – full reset of configuration to factory defaults