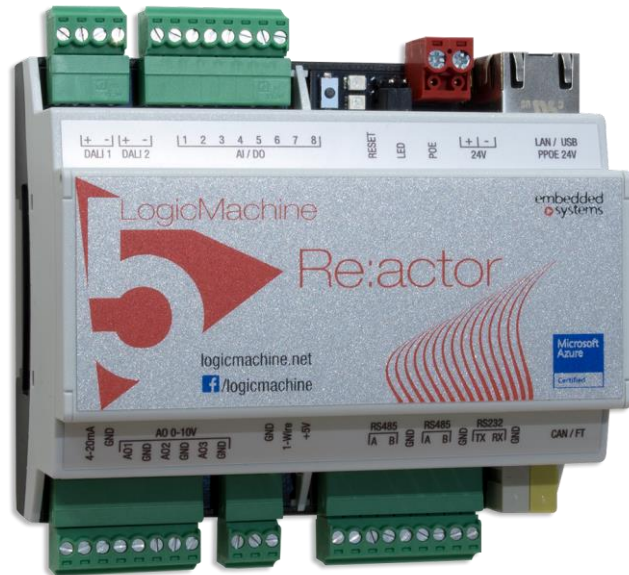


LogicMachine5 Dimmer CANx

LogicMachine (LM) is your easiest way to program complex logic in CAN FT, KNX, Modbus, BACnet and other networks. LM will enable you to efficiently customize building automation processes, easily delivering unlimited flexibility benefit to end users in a cost-effective way.

LM5-RD is an embedded platform with integrated Ethernet, USB, CAN FT, EnOcean transceiver (optional), two DALI master, 1-Wire, Serial interfaces and I/O ports. LM allows to use it as cross-standard gateway, logic engine, visualization platform, IP Router. Scripting templates provides user-friendly, flexible configuration interface and integration with cloud/web services, 3rd party devices. Via applying custom scripts LM can simultaneously act as thermostat, security panel, lighting controller, etc. LogicMachine application store and external app development possibility allows to extend device functionality and adjust to a specific market segment

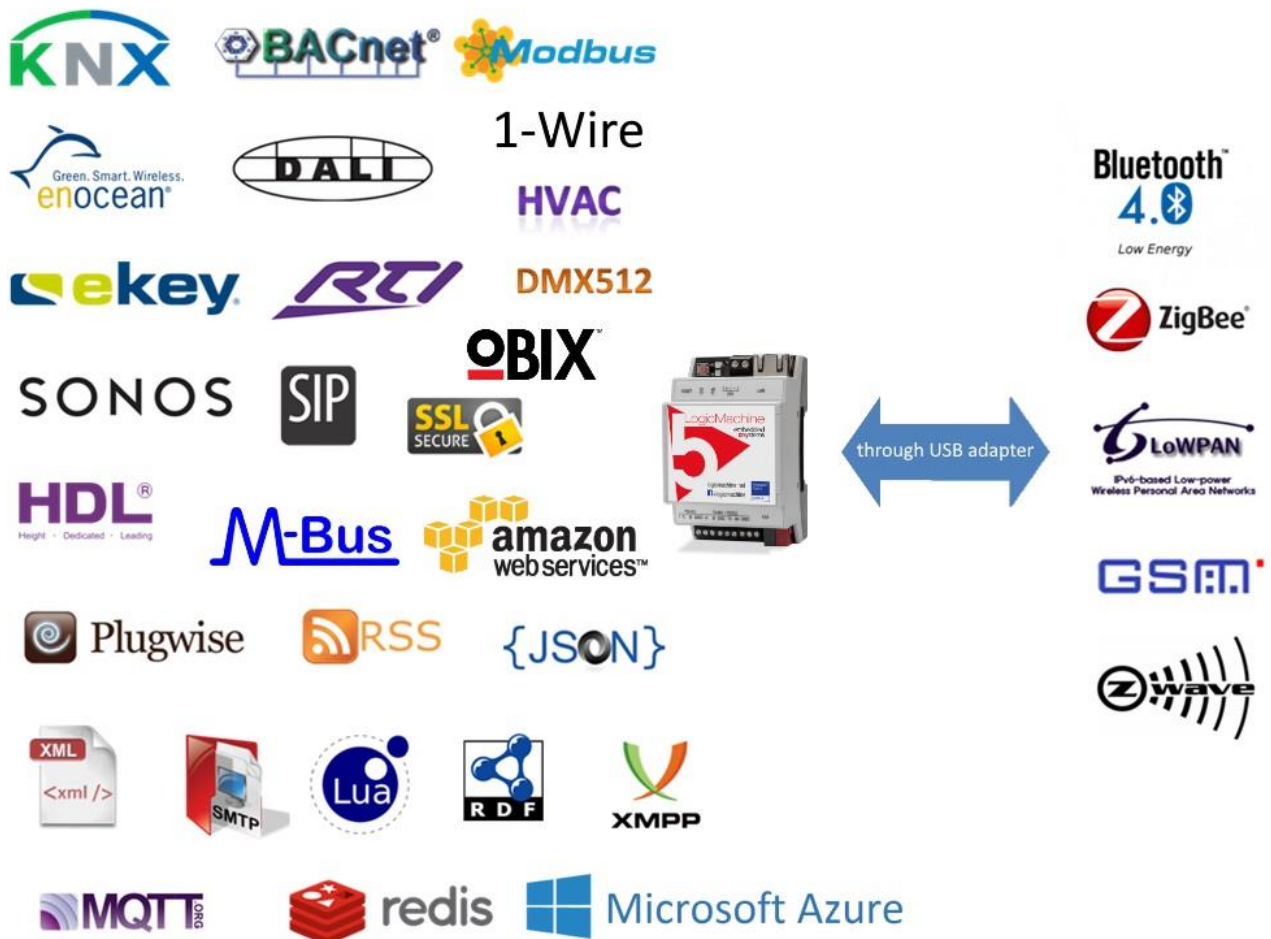


ENG - Data sheet

Issue date 26.11.2021

Application

- Logical functions
- WEB SCADA visualization for PC and touch-devices
- cross-standard gateway
- integration with third party devices over USB, RS485 serial port, Ethernet – AV, IR, HVAC
- Data logger with trends
- KNX IP Router
- Presence monitoring
- Lighting regulation
- Universal controller (lighting, shutter etc.)
- Health/activity monitoring
- Internet-of-Things
- Cloud server/client
- ...



Types of product	
LM5Cp2-RD	LogicMachine5 Reactor Dimmer Power CANx
LM5Cp2-RDE	LogicMachine5 Reactor Dimmer Power Enocean CANx
Technical data	
Power supply	12-32V DC terminal connector or Passive PoE
Power consumption (at 24 V)	1.3 W
DC overvoltage protection:	50 V
Wrong wiring polarity protection	Yes
Interfaces and operating elements	
CAN FT	1
DALI master	2
Maximum count of ballasts per device	128
Analog input / Digital output	8 - configurable, 380mA continuous current on output
Analog output	3 - 0-10 V, 12 bit resolution, 20 mA max current 1 - 4..20 mA
1-Wire	1
10BaseT/100BaseTX	1
RS-485	1
RS-485/RS-232	1 – CPU load, 1 - Activity
USB2.0	1
Programming/reset button	1
Reset button	1
Clamps and enclosure	
CAN FT Terminal	0.8mm ²
Power supply / DALI / 1-Wire	5 mm ²
Serial / IO	3.5 mm ²
Color	Gray
Dimensions	61(W)x90(H)x108(L) mm
Protection	IP20 according to EN 60529
Usage temperature	0C ... +45C
Storage temperature	-15C ... +55C
Net weight:	150 g
Gross weight	170 g
Standards and norms compliance	
CE conformity	EMBS-CE-190717/06 Electromagnetic compatibility
EMC	EN61000-6-1, EN61000-6-3



Caution Security advice

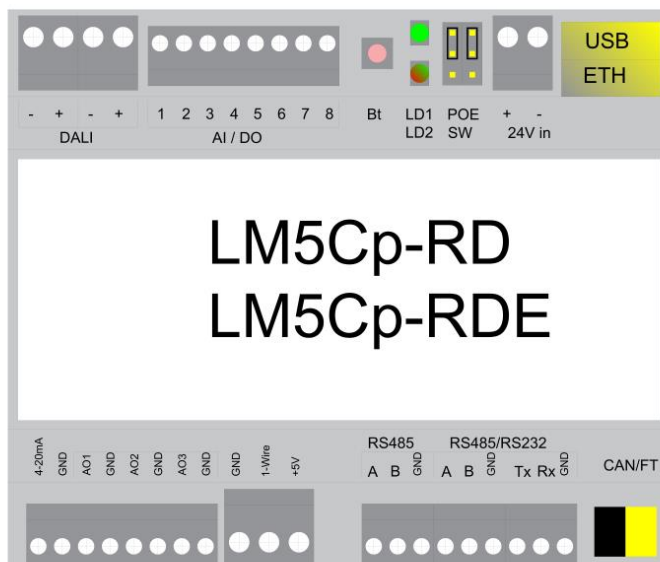
The installation and assembly of electrical equipment may only be performed by skilled electrician. The devices must not be used in any relation with equipment that supports, directly or indirectly, human health or life or with application that can result danger of people, animals or real value

Mounting advice

The devices are supplied in operational status. The cables connections included can be clamped to the housing if required.

Electrical connection


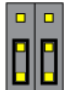
The devices are constructed for the operation of protective low voltage (SELV). Grounding of device is not needed. When switching the power supply on or off, power surges must be avoided.

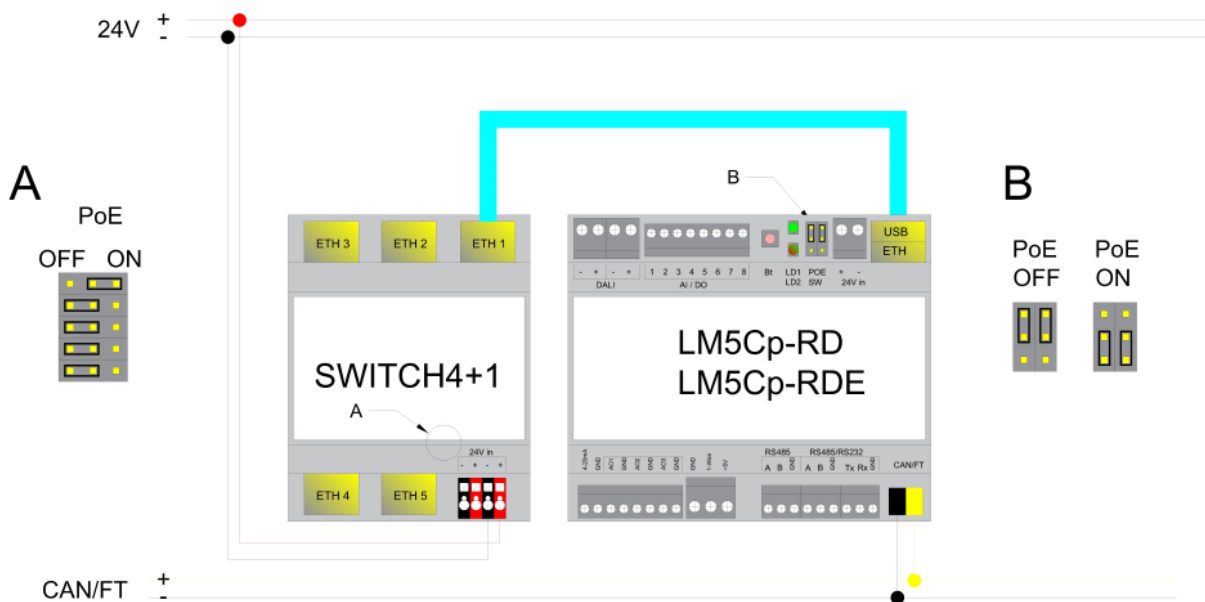


Terminal connection schemes

Powering over Ethernet / CAN FT

LM5 supports two powering modes:

- regular powering over screw terminals (Jumpers up or down) 
- passive PoE powering over 24V DC (Jumpers down) 
- when using active PoE 48V, jumpers have to be UP or the product **will be damaged!**



Please note that there are two PoE types of PoE switches/adapters – passive and active (802.3af). In passive mode 4 Ethernet cable wires are used for data and 4 are used for power. In active PoE mode data and power goes together.

Passive PoE switch



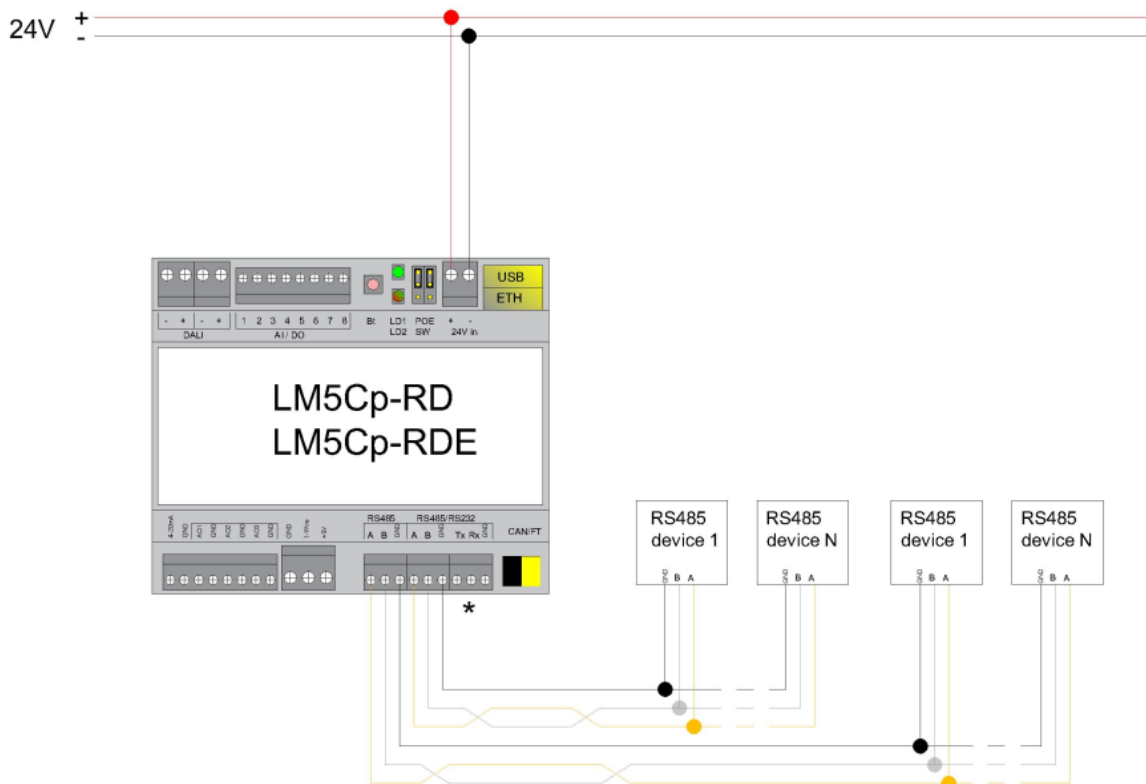
Passive PoE adapters



RS-485 connection

There can be used max two RS-485 on LM5 Lite. First one is definitive, second one is software switchable – either it works as RS-485 or as RS-232 :

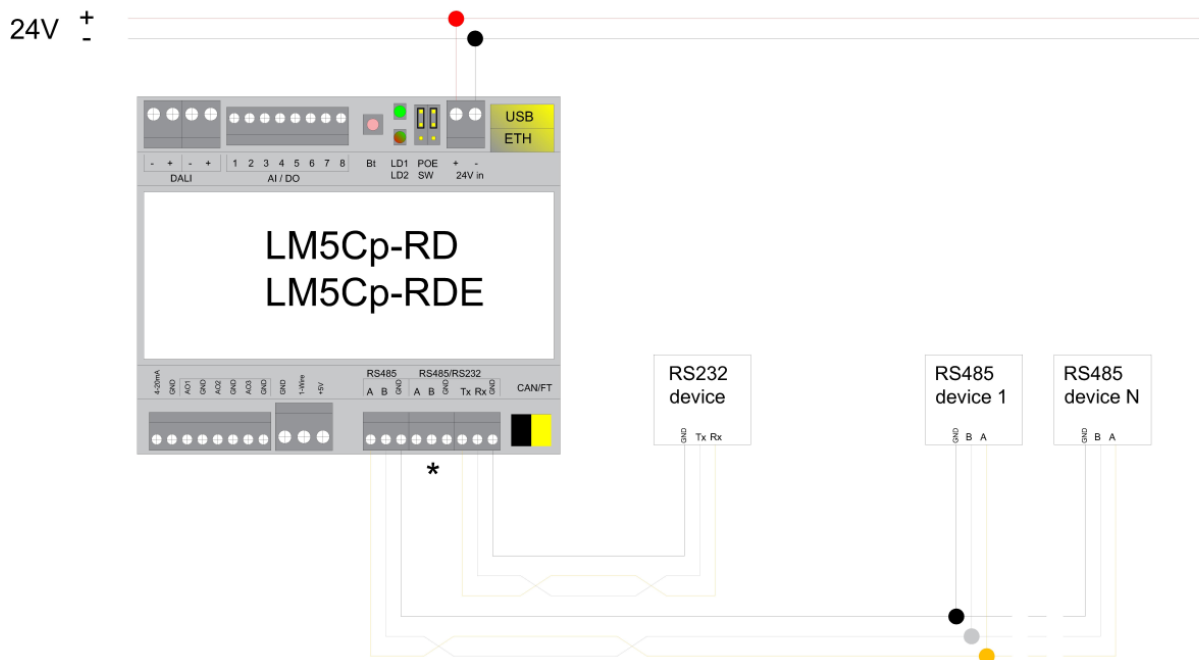
- If it is set up as full-duplex it will operate as RS-232 and respective TX/RX/GND screw terminals should be used
- If it is set up as half-duplex (*) it will operate as RS-485 and respective A/B/GND screw terminals should be used



*RS-485 is chosen in this case, RS-232 is not activated

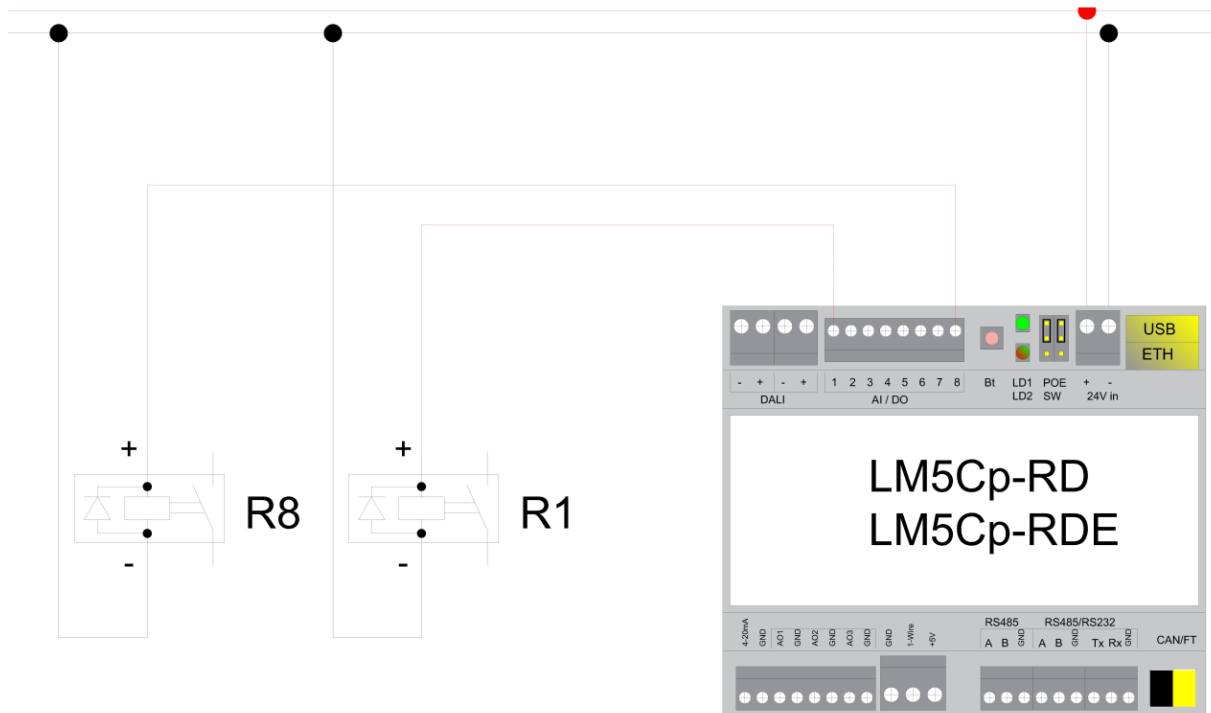
RS-485/RS-232 connection

If second serial port is set as full-duplex in LogicMachine configuration, it will operate as RS-232 and respective TX/RX/GND screw terminals should be used.

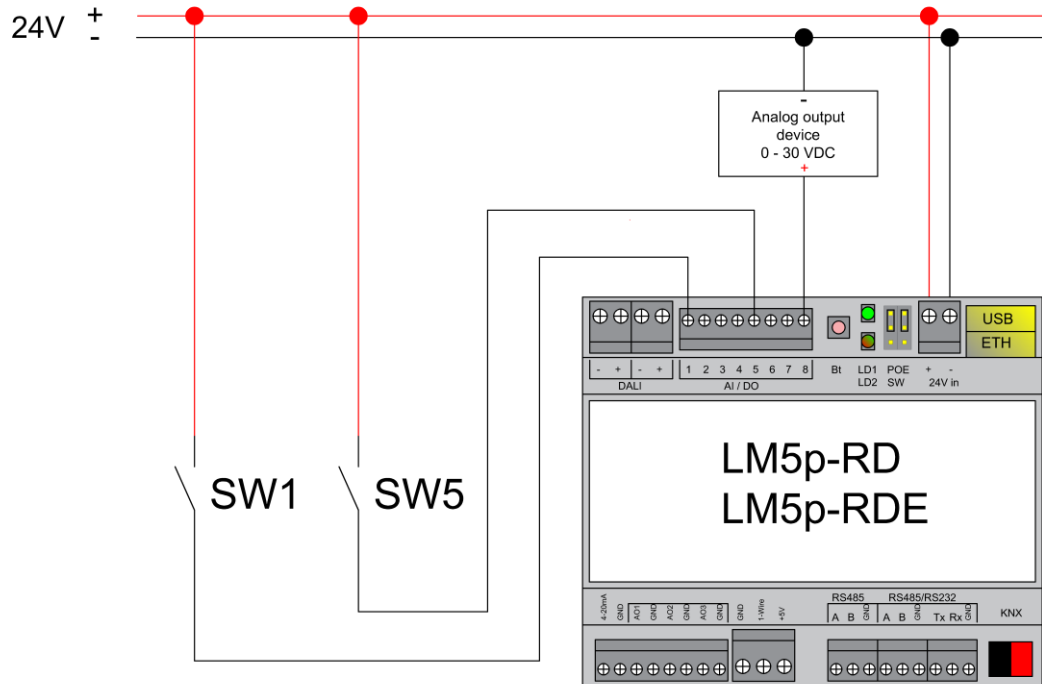


*RS-232 is chosen in this case, RS-485 is not activated

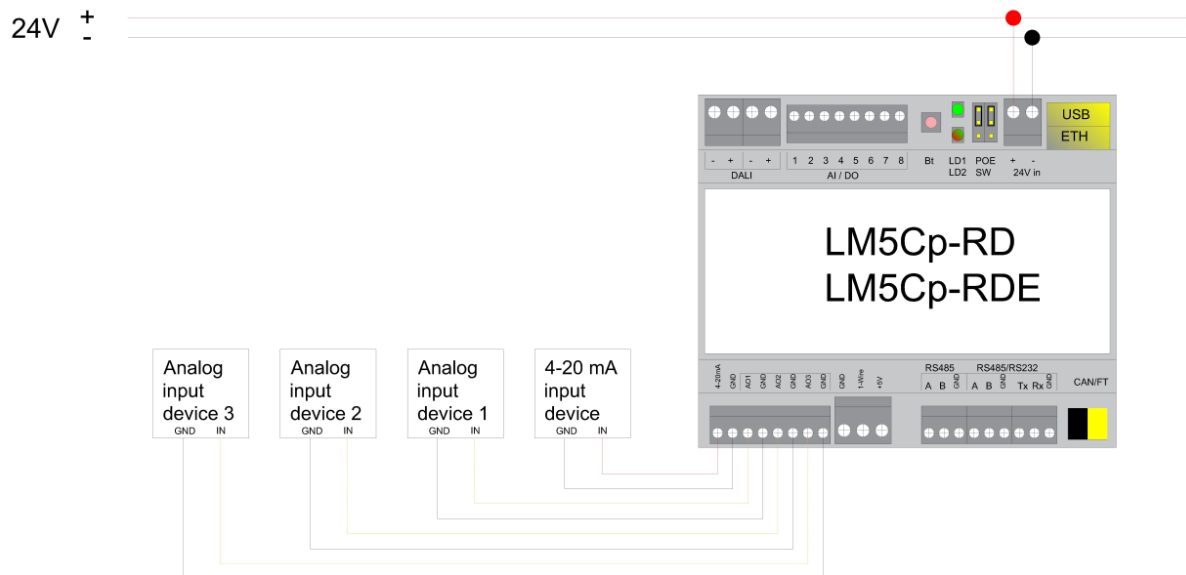
Digital output (e.g. relay/contactor)



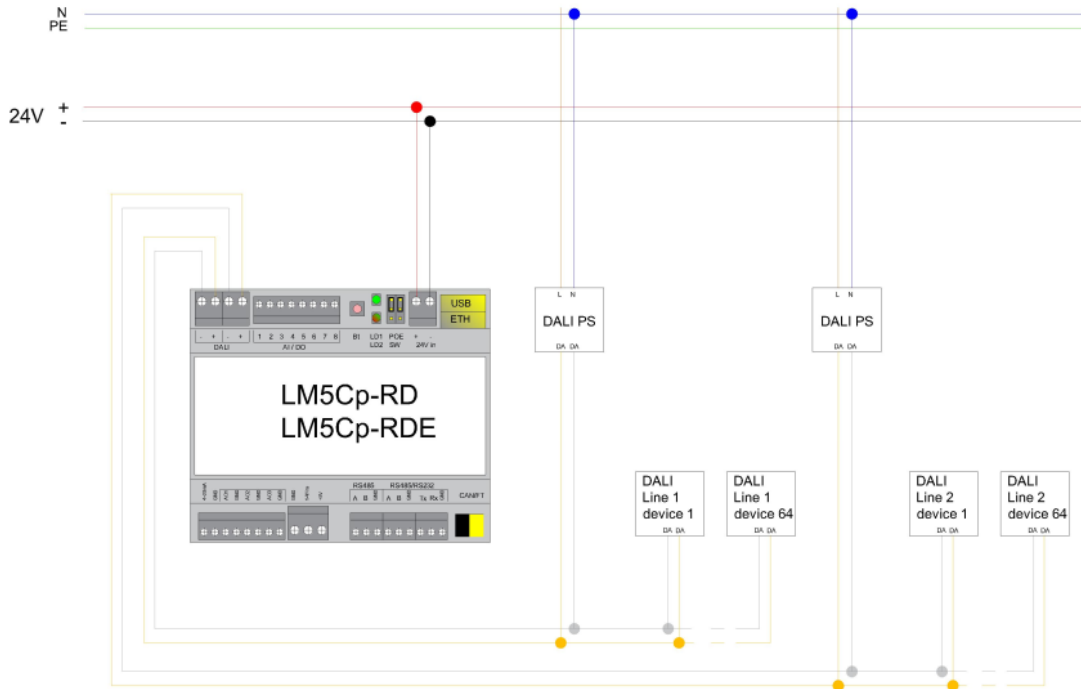
Digital or Analog input (e.g. pushbutton)



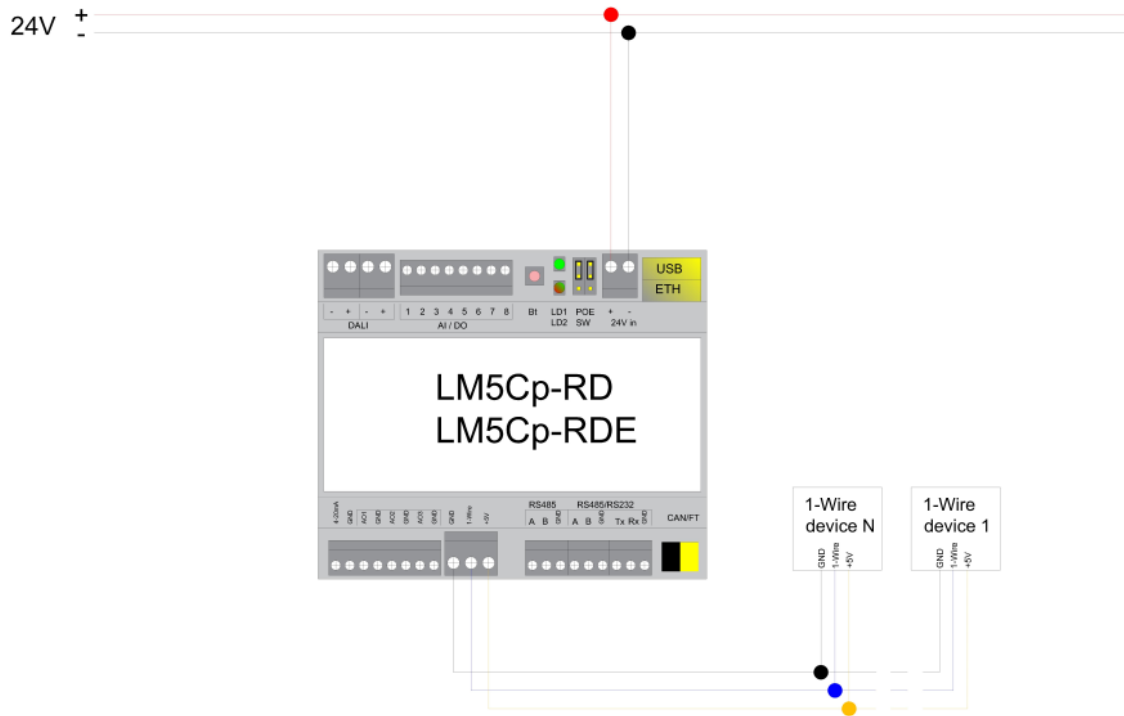
Analog output (0-10V, 4..20mA)



DALI connection



1-wire connection



Quick startup guide

- 1) Mounting the device on DIN rail
- 2) Connect the CAN FT cable
- 3) Connect 24V power supply to the device (either through separate 24V crew terminals or through Passive 24V DC Power-Over-Ethernet)
- 4) Connect Ethernet/LAN cable coming from the PC/switch

Default IP configuration

Login name	admin
Password	admin
IP address	192.168.0.10
Network mask	255.255.255.0

Reset device

You can either reboot the device by pressing RESET button or reset the configuration to factory defaults:

- *Press and hold for <10 sec* – reboot the device
- *Press and hold for >10 sec* – reset networking with IP to factory default
- *Press and hold for >10 sec and again press and hold for >10 sec* – full reset of configuration to factory defaults